

# WALL SOUND INSULATION

## PREMIUM M1

from typical technical solutions album of Technosonus and NIISF  
version TS/01.2020/RD/S/R4 type S-4.1

### components:

Tecsound membrane (Tecsound FT)  
PPN 27/28 AcousticGyps reinforced profile  
PP 60/27 AcousticGyps reinforced profile  
Sonokrep vibrohanger  
One-level connector (crab) for PP 60/27 AcousticGyps  
AcousticGyps extender for PP 60/27  
V-100 vibrodamping tape  
Sealing tape  
AcousticGyps GKLZ 12.5 mm  
AcousticGyps M1 sound insulation panel  
StopZvuk BP/Eco sound-absorbing board  
TS-DG 6/60 Dowel pin · Vibrowasher  
TS-XTN 3.9x38, TS-XTN 3.9x55, TS-MM 4.2-13 self-tapping screws  
Sonetik vibroacoustic sealant  
Bautger glue



SYSTEM  
THICKNESS

**83,5mm**



AIRBORNE NOISE  
REDUCTION

**Rw = 69-73 dB**

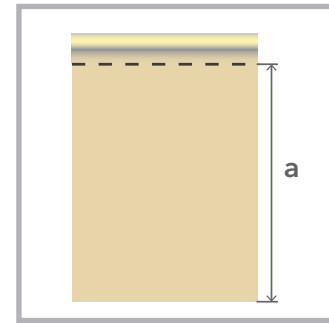
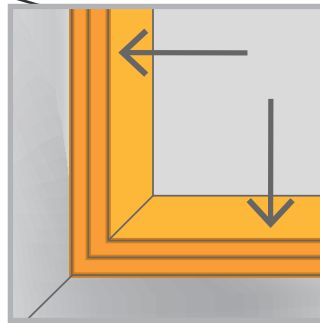
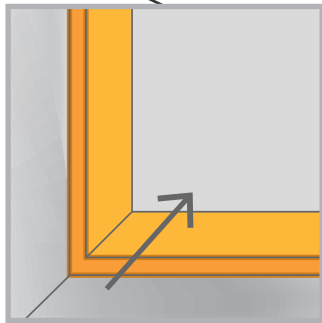
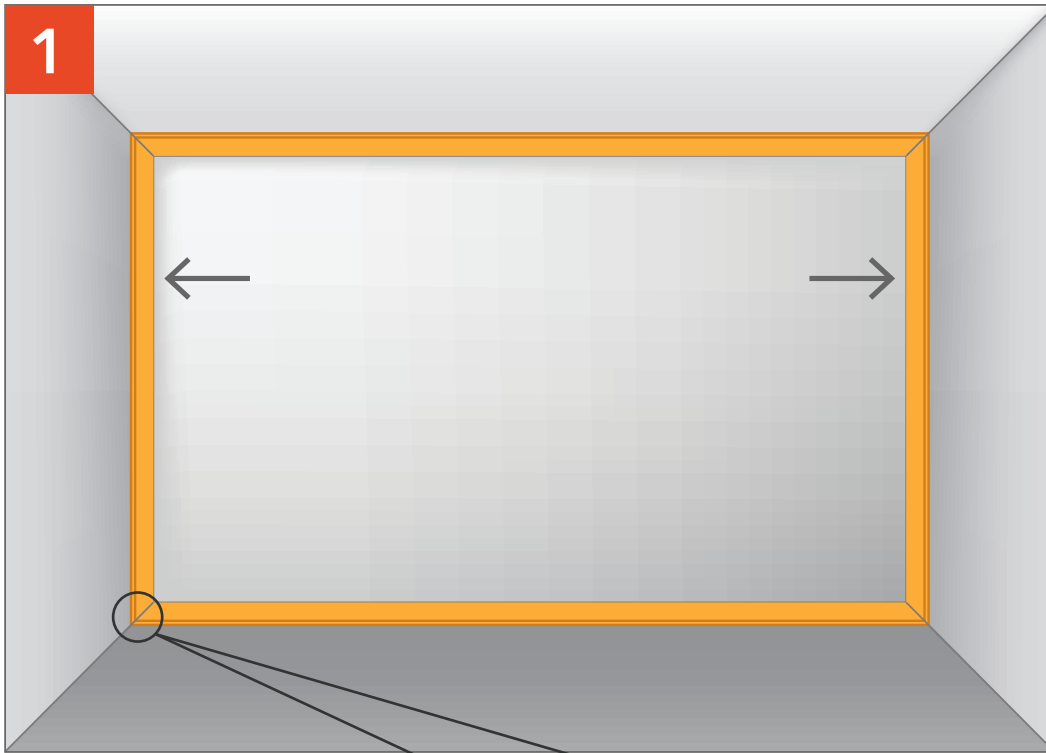


SOUND INSULATION  
ADDITION

**▲ Rw = 24-23 dB**

*Efficient system with maximum sound absorption and sound insulation index. For use both in residential buildings and apartments with high comfort level, and in special rooms.*



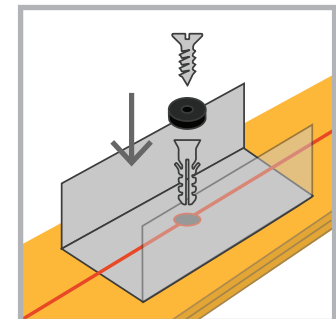
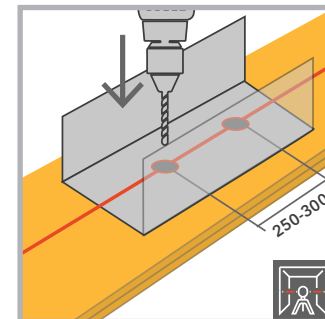
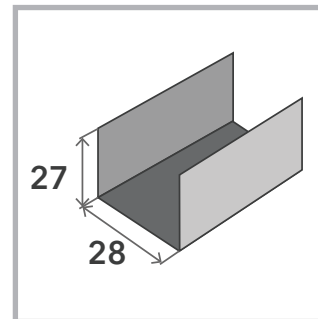
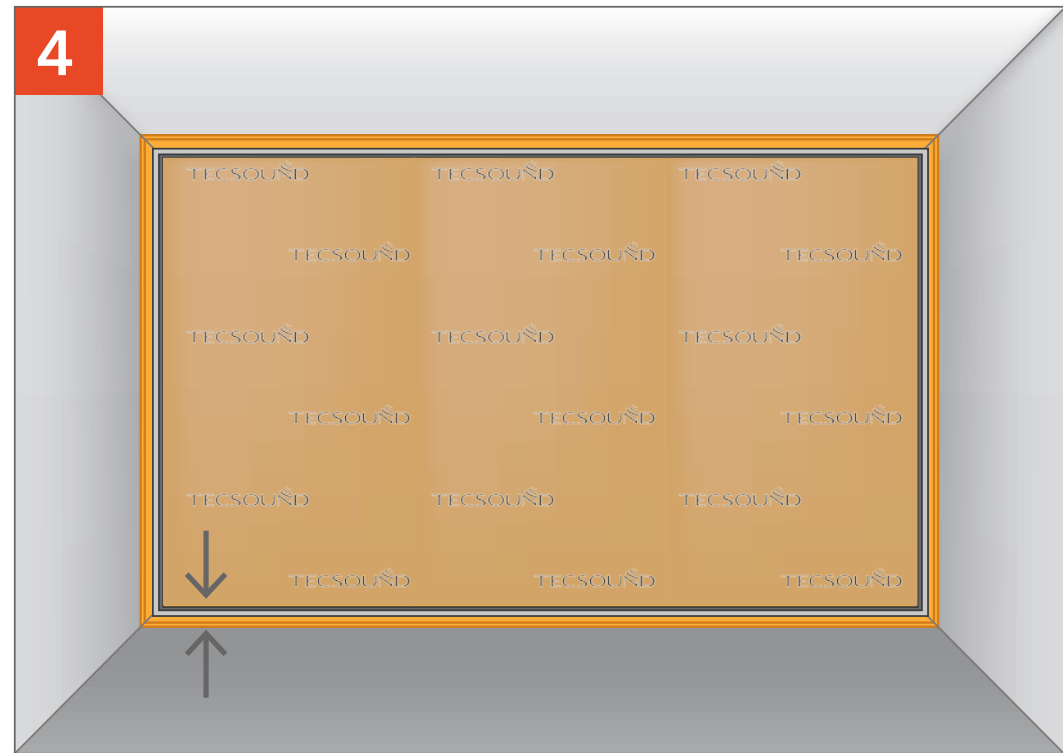
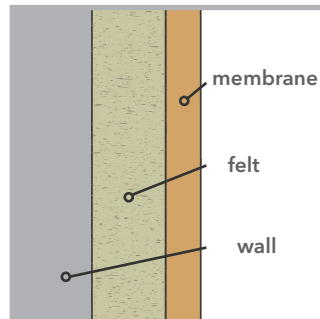
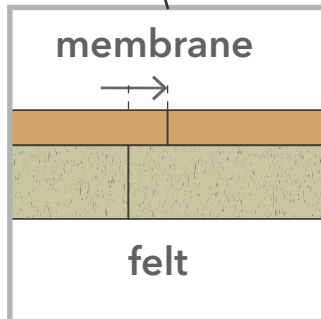
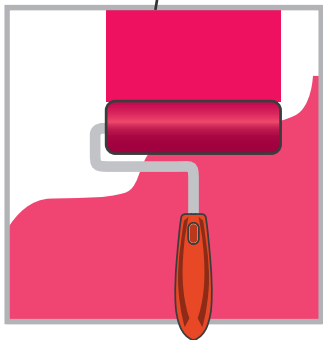
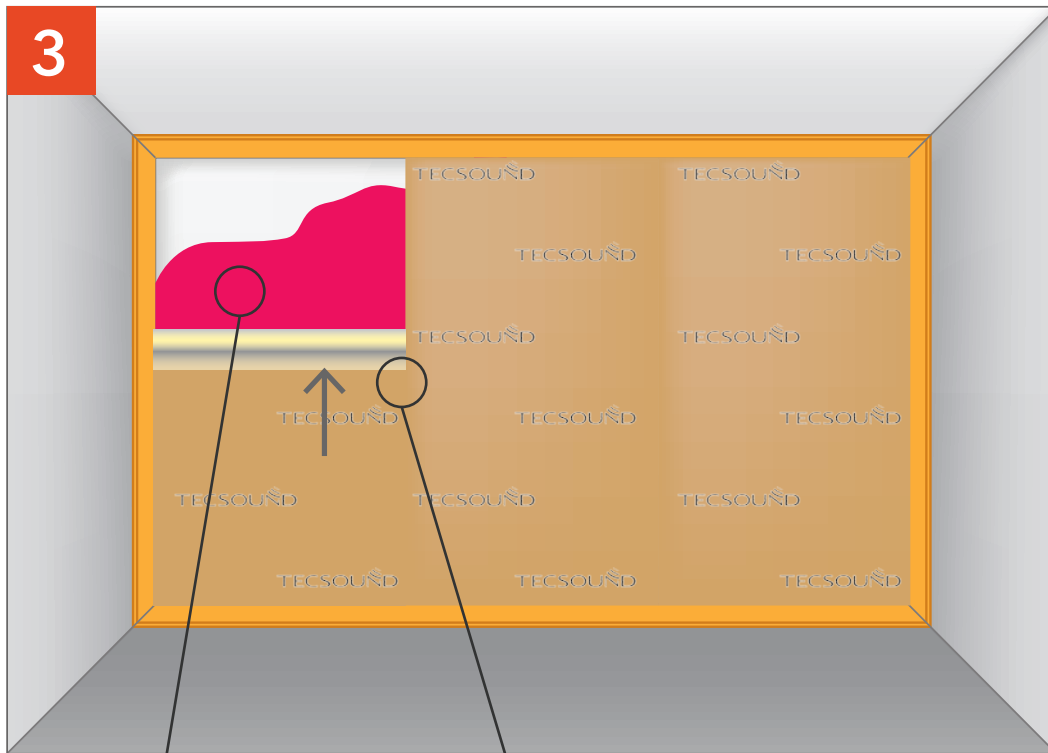


Glue perimeter of the wall with StopZvuk V100 tape using Sonetik sealant or Bautger glue.

Measure out ThermoZvukolzol.

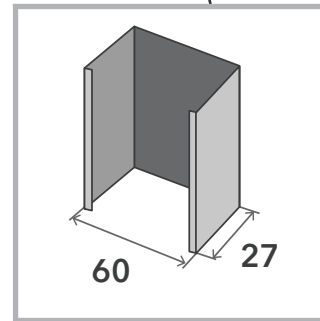
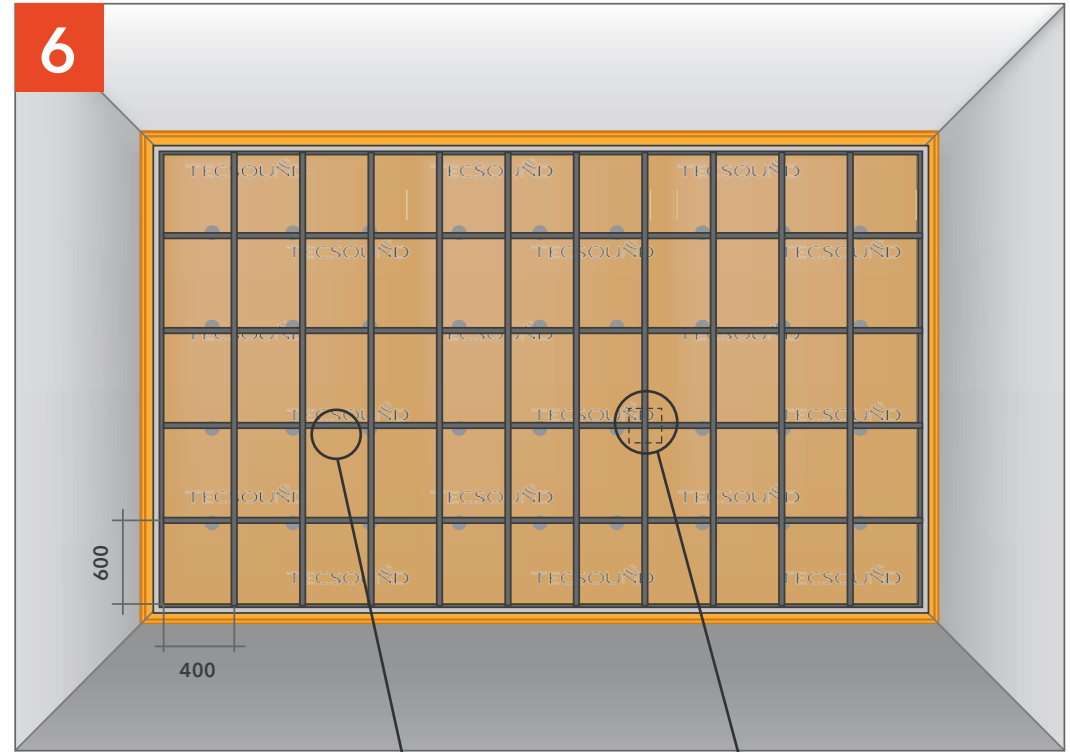
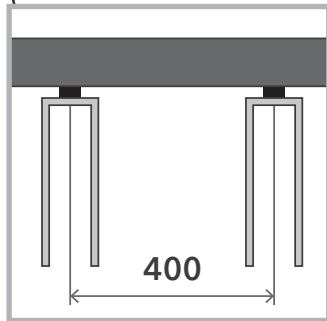
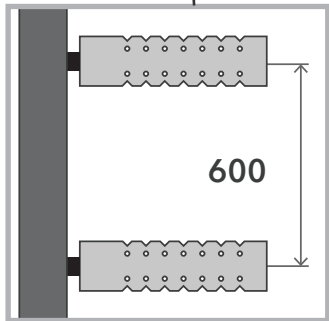
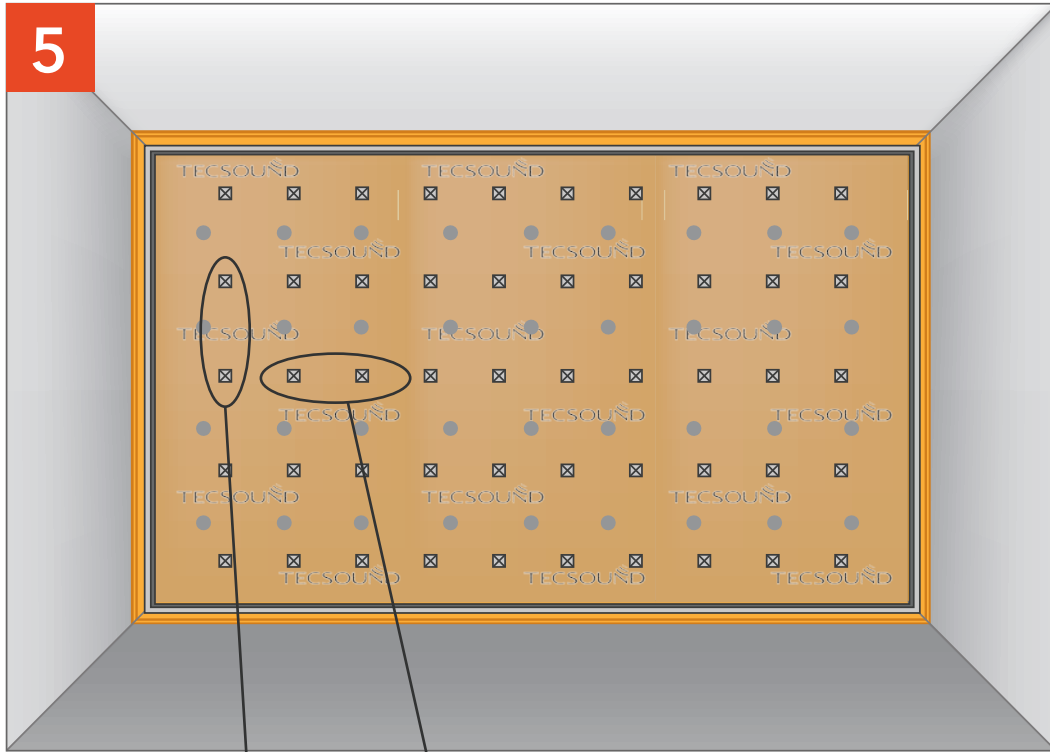
## PREMIUM M1 WALL SOUND INSULATION

# PREMIUM M1 WALL SOUND INSULATION



Mount Tecsound FT using Bautger glue with overlapping.

Fix PN profile through StopZvuk V100 tape with 250-300 mm pitch.

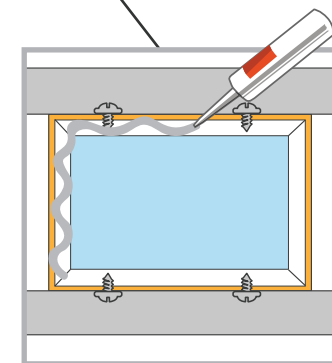
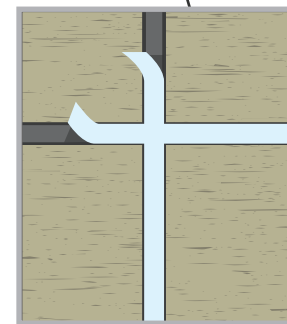
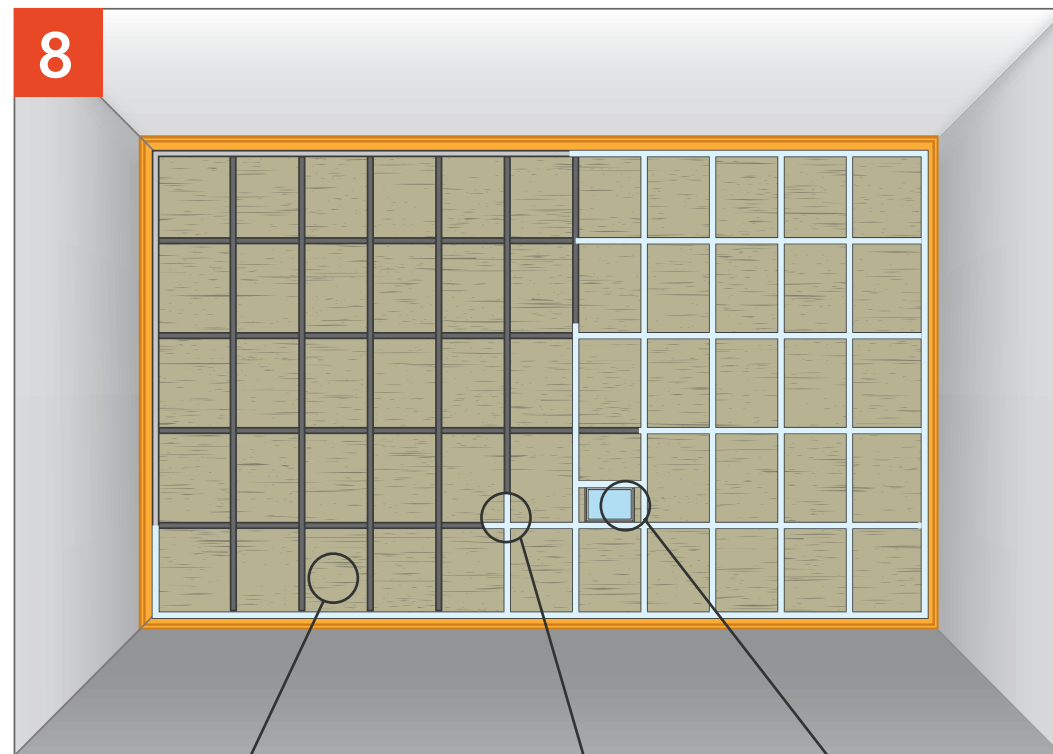
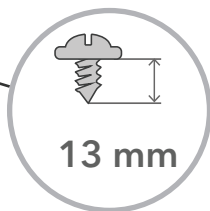
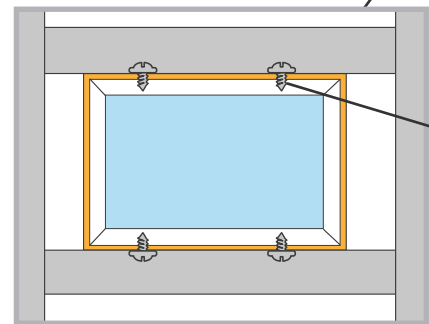
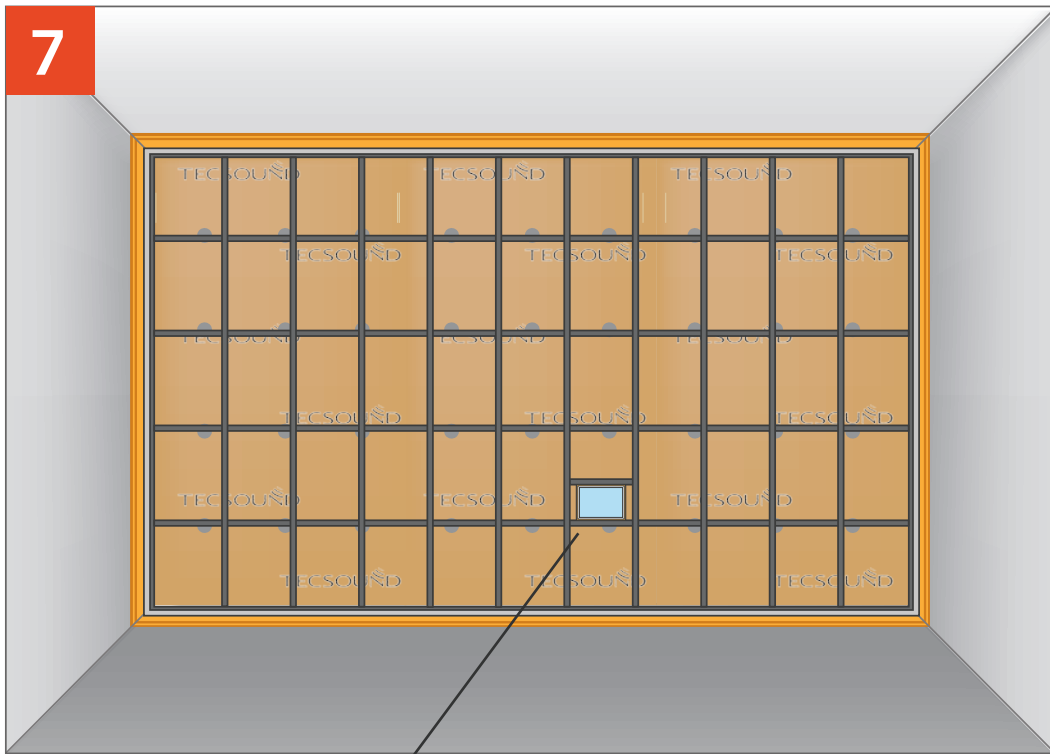


Fix Sonokrep vibrohangers with step 400 horizontally and 600 vertically.

Fasten PP profile to vibrohangers and connect them together using a single-level connector (crab).

## PREMIUM M1 WALL SOUND INSULATION

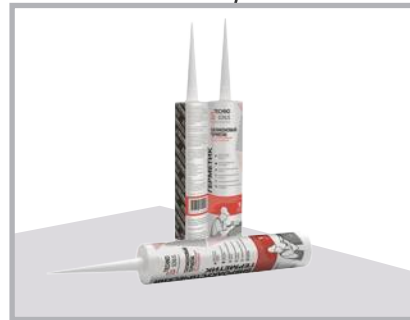
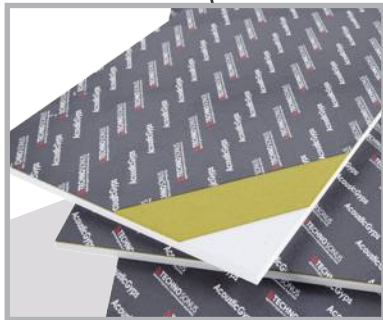
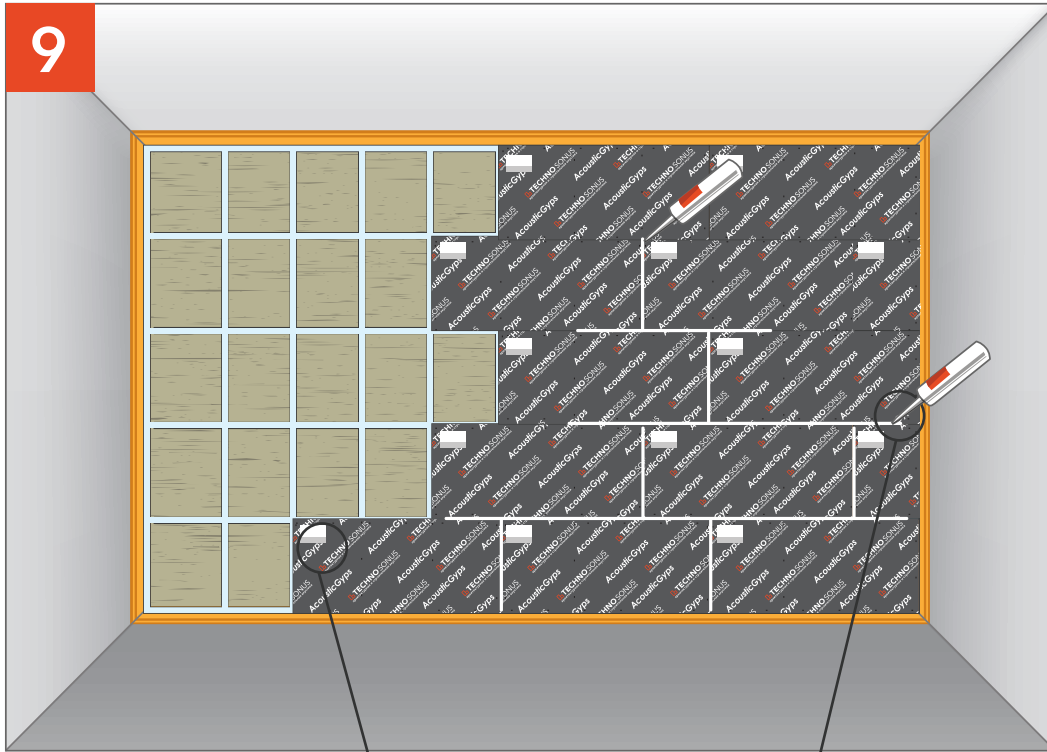
# PREMIUM M1 WALL SOUND INSULATION



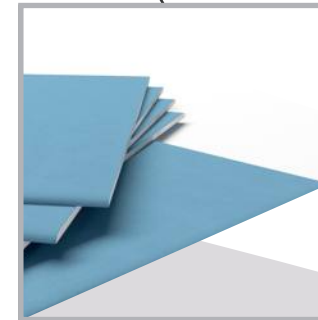
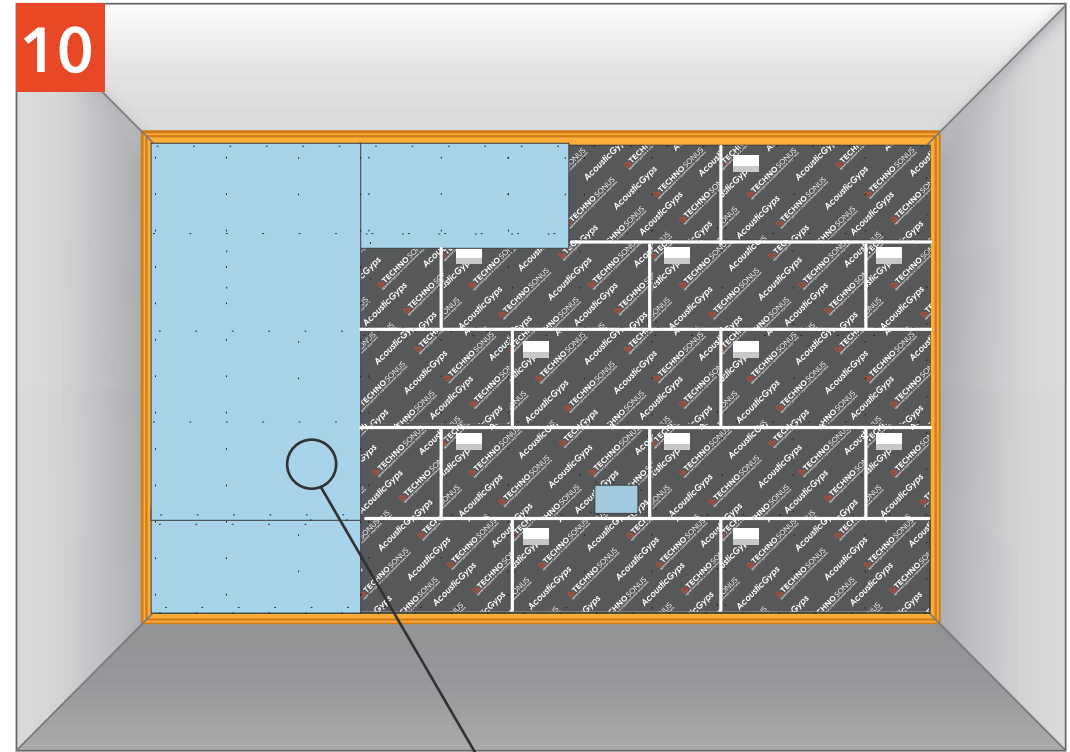
Mount AcousticGypsum Outlet Box in a prepared profile frame.

Glue damper tape on the surface of the profile, fill the space with StopZvuk BP boards.

9



10



Mount AcousticGyps GKLZ sheets, fill the joints with Sonetik vibroacoustic sealant.

Mount one more AcousticGyps GKLZ layer.

## PREMIUM M1 WALL SOUND INSULATION

